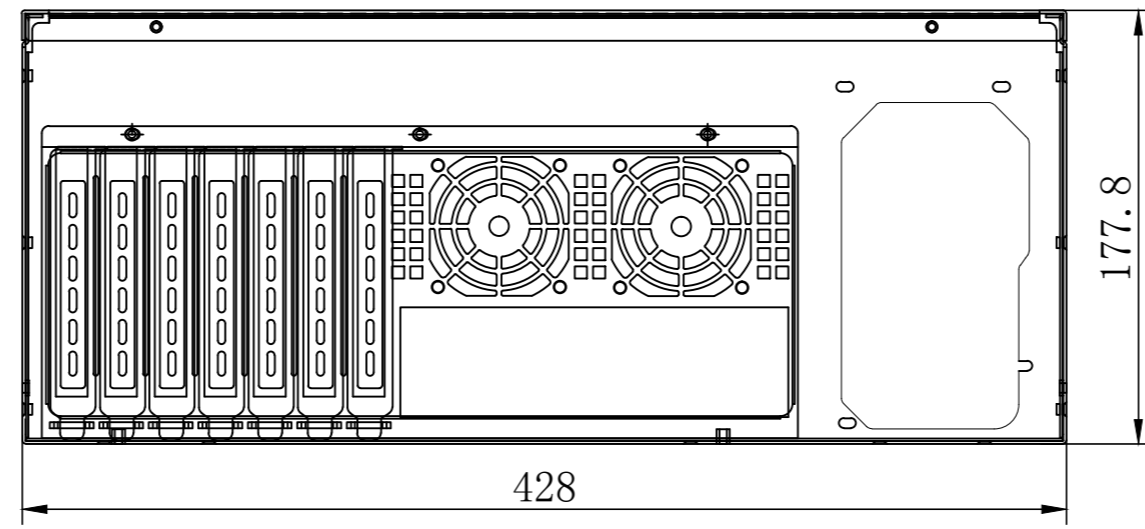
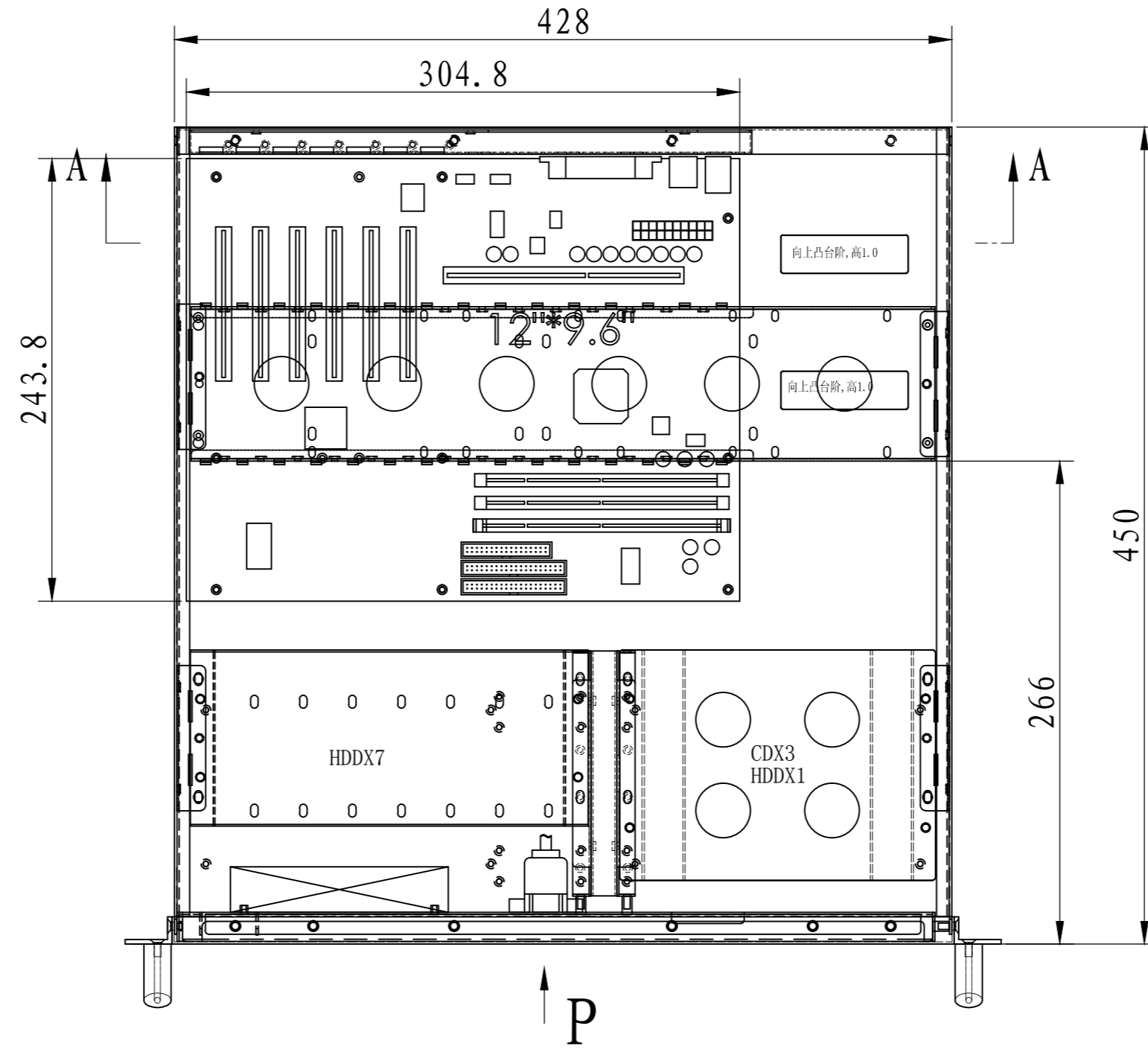


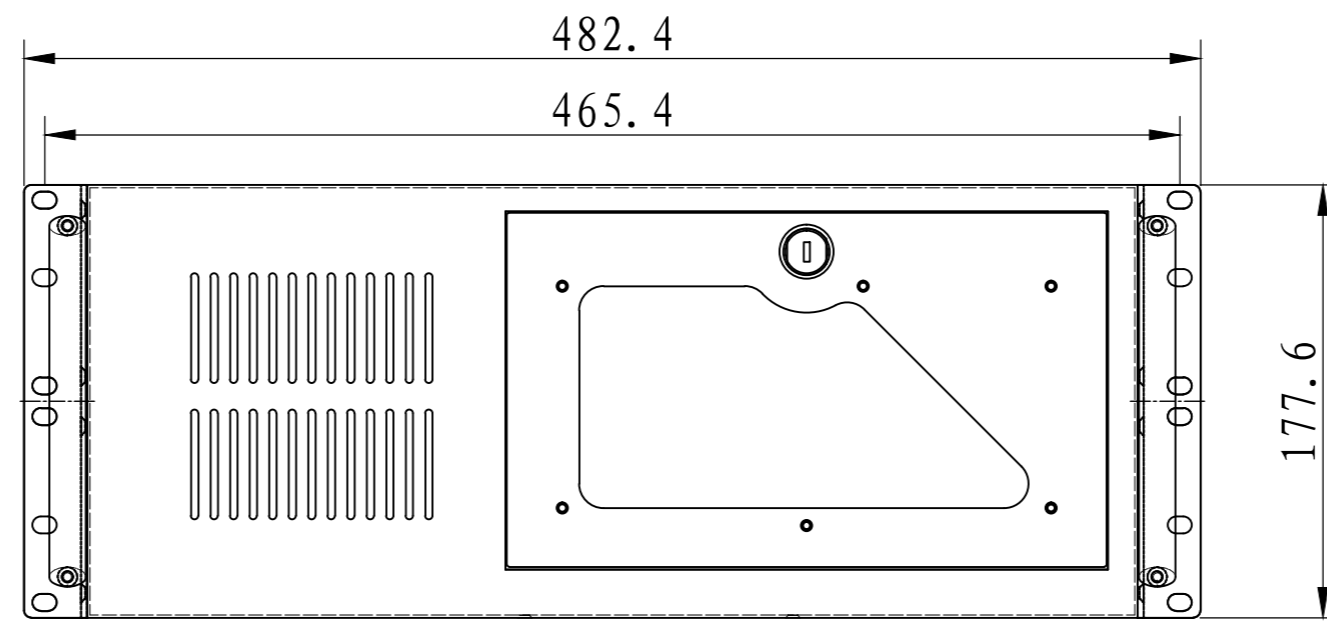
Autodesk



A-A



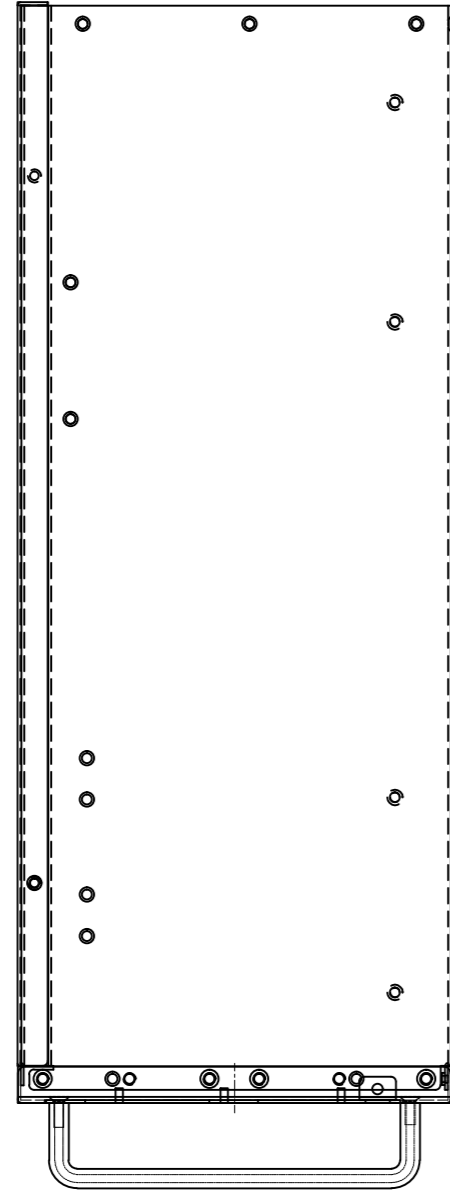
P



P向

Autodesk

Autodesk



Autodesk

