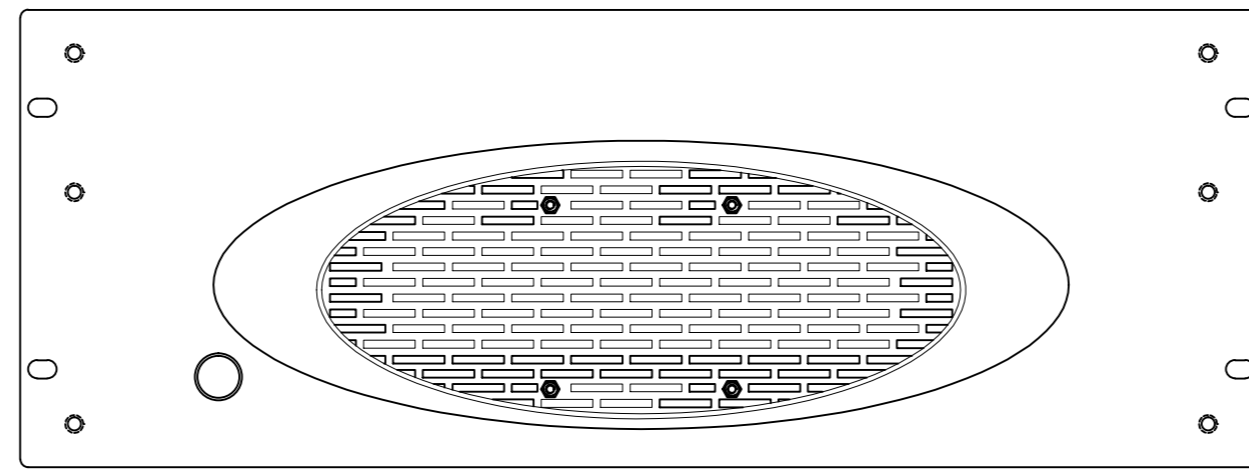
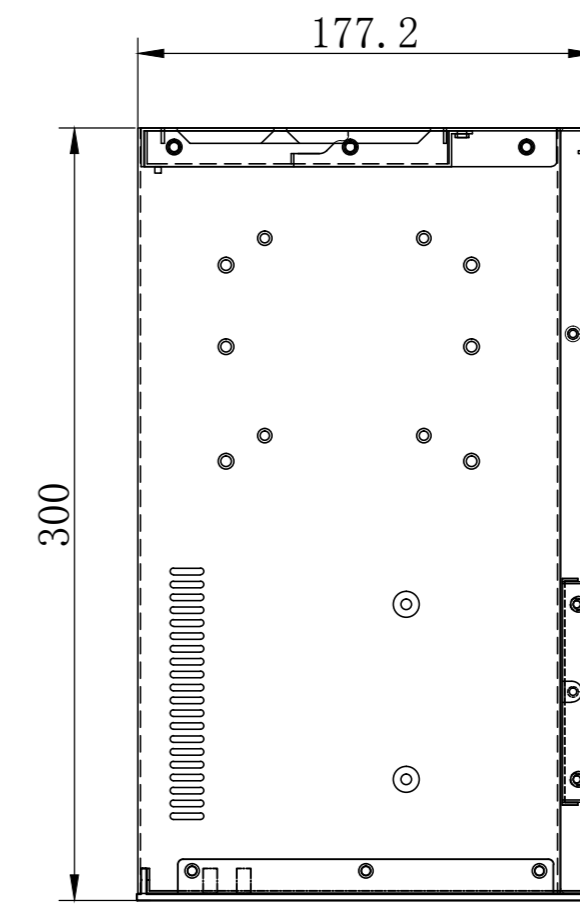
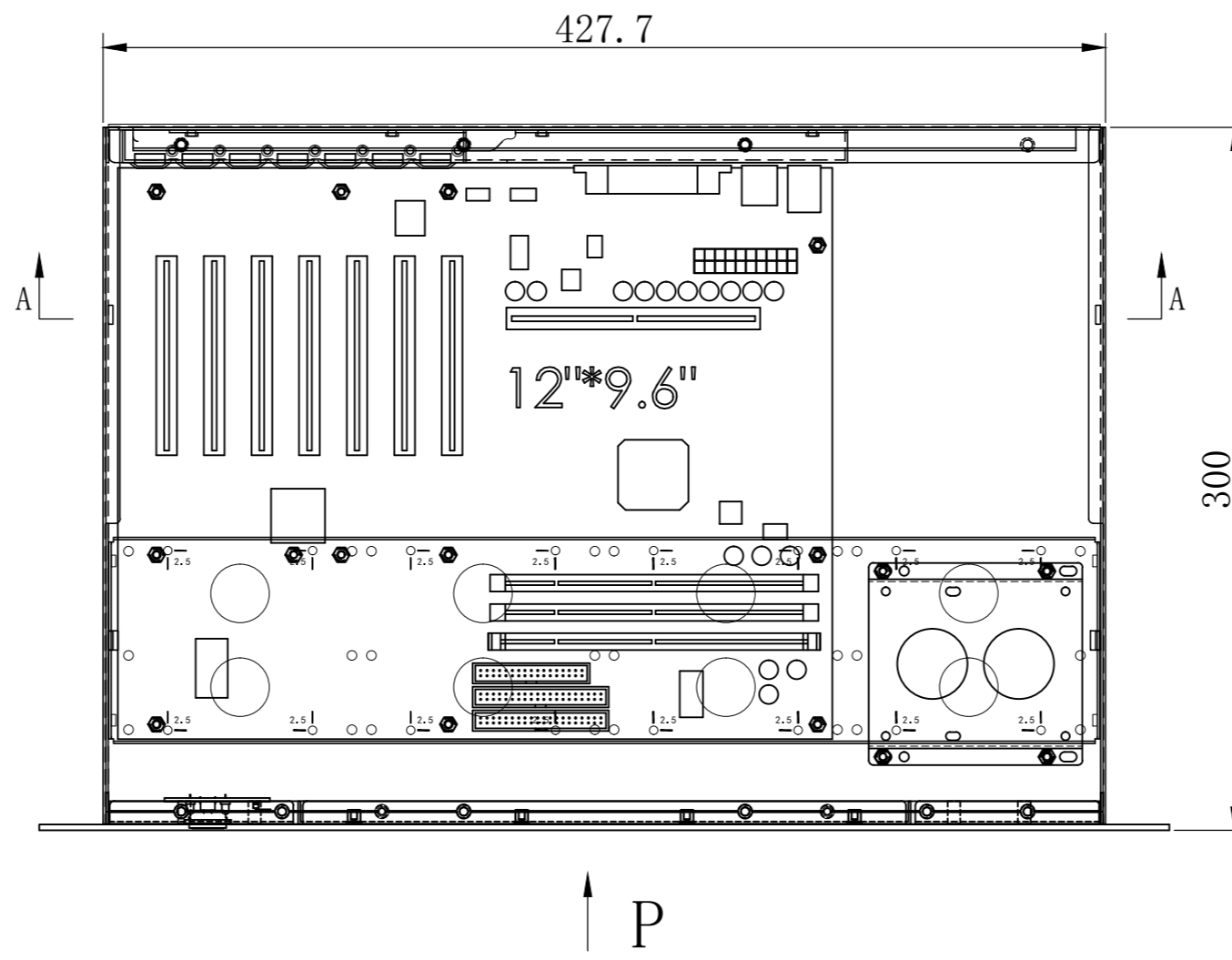
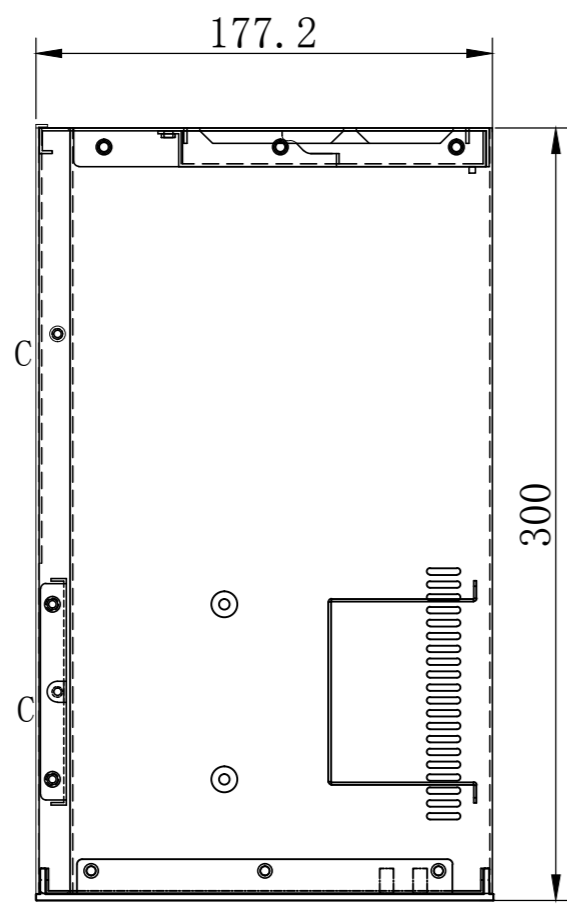
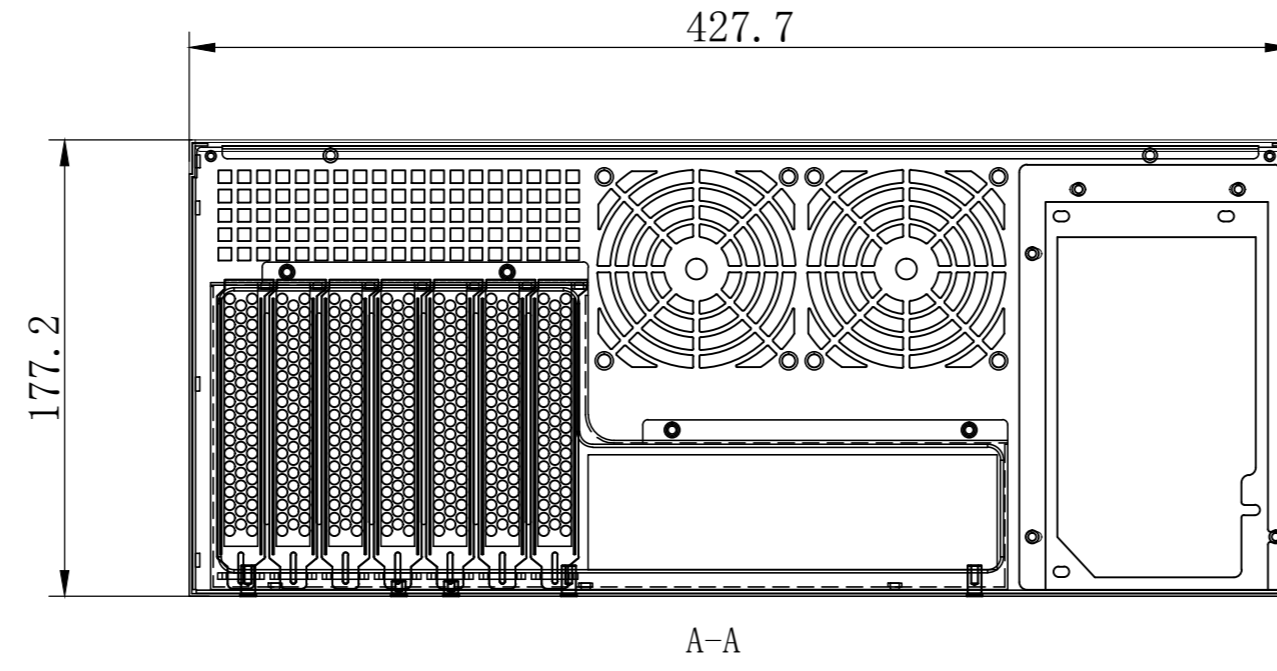


Autodesk



P向

Autodesk

Autodesk

Autodesk